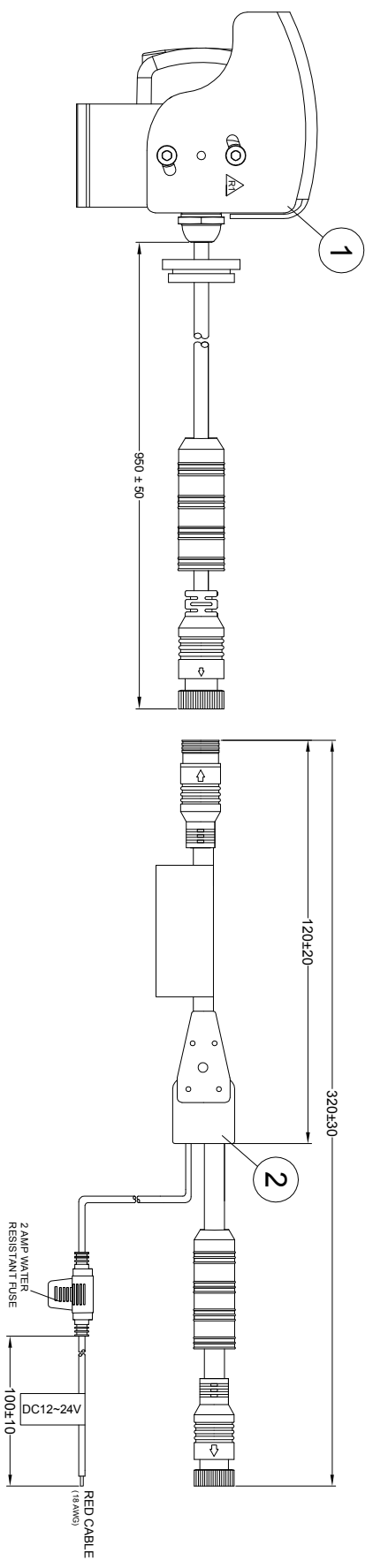


Revision Notes
 R1 - CAMERA SUNSHIELD APPEARANCE UPDATED AS PER ECR CR -A292
 Drafter: BATES | Checked: A.FEDERIGHI | Approved: G.P.LITH | Date: 10/07/16
 APA: Y.ZHANG

ITEM	PART NO	QTY	MODEL/DESCRIPTION
①	(#2808A)	1	VBV-710C CAMERA
②	(#3702)	1	AC-035 ADAPTER CABLE



- NOTES:**
1. REFER TO COMPONENT DRAWINGS AND SPECIFICATIONS FOR MORE INFORMATION.
 2. FOR GIFTBOX LABEL REFER TO LATEST REVISION OF DRAWING BE-002782-XX-13.
 3. FOR PACKAGING DETAIL REFER TO LATEST REVISION OF DRAWING BE-001983-XX-12.

PROPRIETARY NOTICE
 THIS DESIGN AND TECHNICAL INFORMATION APPEARING ON THIS DRAWING IS THE PROPERTY OF BRIGADE ELECTRONICS, AND IS DISCLOSED IN CONFIDENCE. IT IS NOT TO BE COPIED, REPRODUCED, REVEALED TO OR EXPLOITED BY OTHERS, EITHER IN WHOLE OR IN PART WITHOUT THE EXPRESS WRITTEN CONSENT OF BRIGADE ELECTRONICS.

BRIGADE
 www.brigade-electronics.com

Assembly PI Approval DONGQING LIN (20/07/14)		Approved by B. JOHN		Checked by R.BATES		Drawn by M.BUTLER	
Angle of Projection Third Angle		Units mm		Scale N/A		Released 20/07/14	
Status RELEASED		Part No 3703A		Released -		Assembly Ref -	
Model/Description VBV-710(CAC)		Part No BE-002780-01-13		Released -		Assembly Ref -	